

ACCUMULATION ROUNDABOUTS



VA 2
Roundabouts for boxes

Rotary loading system manufactured in galvanized steel for automatic loading of moulded pieces in boxes or bags. Equipped with control box to manage the rotation with external signal interface from the machine (robot) or independent. Maximum number of boxes/bags 12.



VA 1
Roundabouts for bags

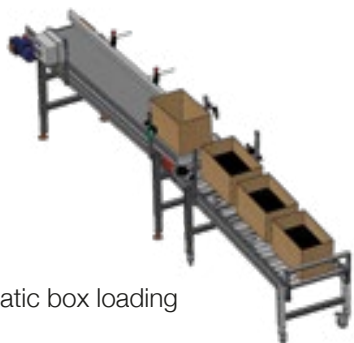




Double level roundabout for 10+10 boxes



12 boxes roundabout

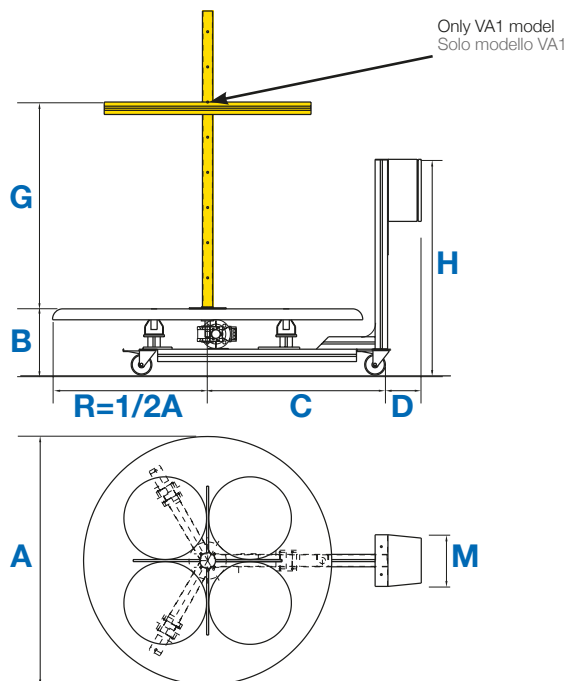


Automatic box loading



Vertical storage box system

VA1 - VA2



mod:	VA 1	VA 2
A (mm)	1200 - 1500	
B (mm)	320	
C (mm)	870	
D (mm)	170	
G (mm)	400-1200	-
H (mm)	1050	
M (mm)	320	
Supply Voltage/	400V; 3 ph+N; 50 Hz	